



Disposable Material Path Diaphragm Valve TS5624DMP

The TS5624 Disposable Diaphragm Valve features a “first to market” Disposable Material Path.

Difficult fluids such as CA's and pre-mixed 2-part epoxies, can now be dispensed without the need of frequent cleaning, by simply replacing the entire wetted area in a matter of seconds, while the valve stays on the production line.

The wetted parts are manufactured from black Polyethylene to prevent moisture and UV light come into contact with the dispense fluids. As a result, moisture sensitive fluids such as Cyanoacrylate and UV cured adhesives can be dispensed reliably and accurately.

The TS5624 dispenses low to medium viscosity fluids over a wide range of shot and bead sizes, down to a fraction of a micro liter. An internal spring return makes the valves fully adaptable for use with Techcon Systems controllers. A short opening stroke provides an extremely fast and positive shut-off.

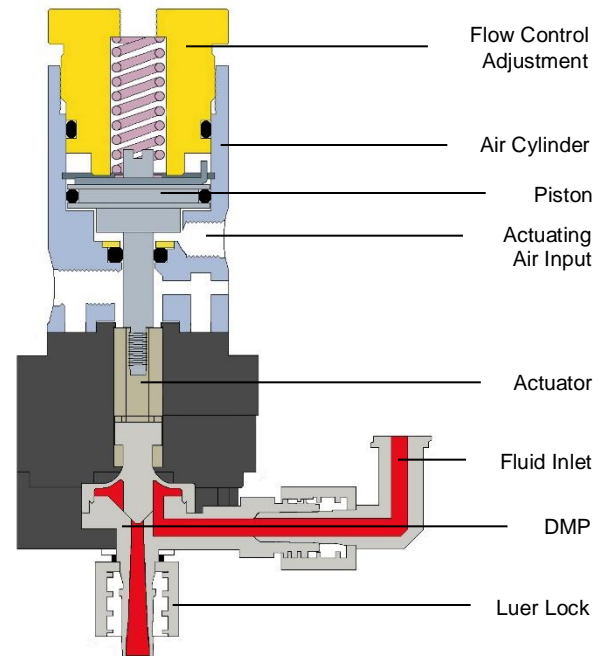
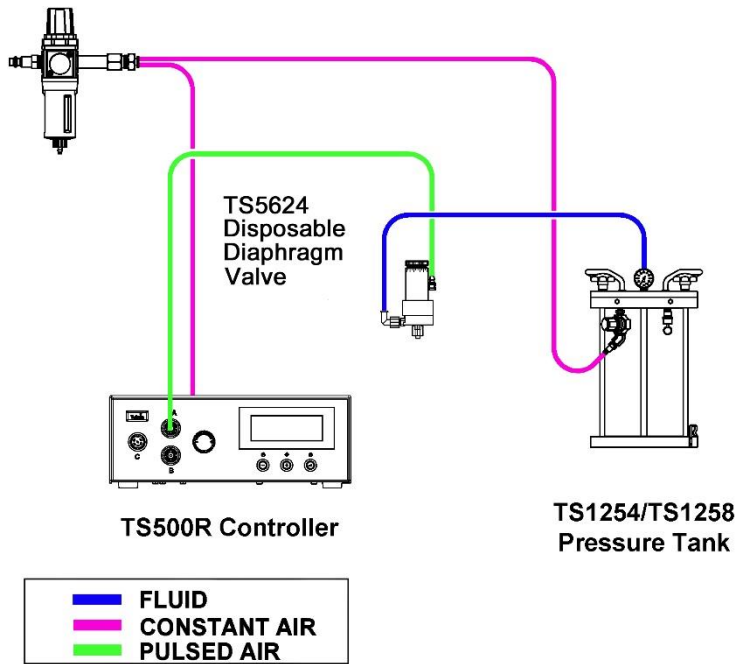
Key Features & Benefits

- Disposable material path - no cleaning
- Compact size and weight
- Excellent moisture sensitive resistance
- No special tools required
- Low cost of ownership
- Accurate and repeatable dispensing

Typical Applications

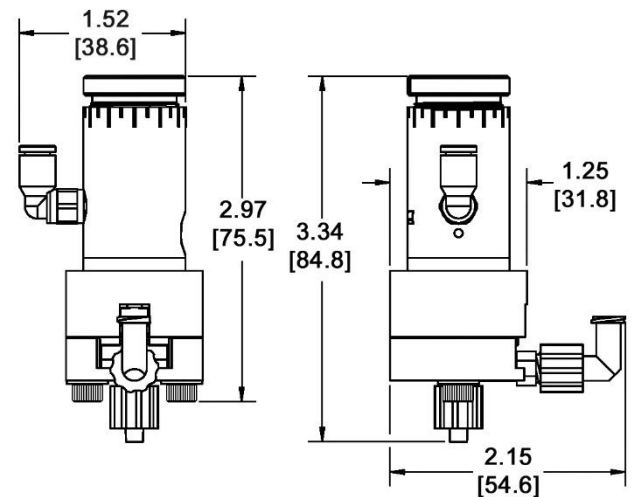
- Dispensing pre-mixed 2-part epoxy.
- Dispensing Cyanoacrylate in bonding applications
- Applying a of UV lacquer in CD/DVD spin coating applications

TYPICAL SETUP



SPECIFICATIONS & PART NUMBERS

	TS5322
Size	See drawing
Weight:	0.25 lb (113g)
Fluid Inlet Port:	Luer lock female
Fluid Outlet Port	Luer lock male
Aux Air Inlet Port:	10-32 UNF female
Activation Pressure Range:	70 psi - 90 psi (4.8bar - 6.2bar)
Max Fluid Pressure:	60 psi (4.1bar)
Mounting Port:	10-32 UNF female
Viscosity Range:	1 - 50 000cps
Wetted Parts:	Black Polyethylene Compound



Dimensions are in inches [mm]

ACCESSORIES

- Replacement DMP Insert: DMP-5624
- Syringe Bracket: 7509-9100 fits all syringe sizes.
- Fitting kit: VFKIT - for 1/4" OD tubing connection
- Fluid Reservoirs: TS1254 or TS1258 pressure tank
- **Note:** The TS1254 and TS1258 come with standard 1/4" OD tubing so the VFKIT will be required to make the connection.
- **Dispense Tip:** For complete dispense tip selection please visit www.techconsystems.com

The valve is shipped with the following items:

- Mounting bracket kit
- Valve air hose
- Luer lock fluid line
- Sample pack of DMP inserts
- Dispensing tip selection pack

For Sales & Support

Techcon Corporate Headquarters
 10800 Valley View Street, Cypress
 California, 90630, USA.
 Tel: 1-714-230-2398
 E-mail: oemorders@okinternational.com

Techcon European Corporate Office
 Eagle Close, Chandler's Ford Industrial Estate,
 Eastleigh, Hampshire, SO53 4NF, UK.
 Tel: +44 2380 489 100
 E-mail: europe-orders@okinternational.com