



Microshot Spray Valve

TS5540-MS

The TS5540-MS Spray Valve is designed for precise spray applications of low viscosity fluids.

An external stroke control makes it easy for the operator to fine-tune fluid flow. Total control of the spray cycle is provided by adjustable fluid flow and precise control of pre-spray, atomizing air and post spray with the TS500R Multi-Purpose Digital Controller. Downtime is virtually eliminated with only one seal to replace during normal maintenance. The TS5540-MS Spray Valves comes with FDA-Compliant 303 stainless steel construction in both air cylinder and fluid housing. A field replaceable Teflon® seat provides positive shut off and very long-life cycles. The compact design allows for easy integration into automated applications.

The TS5540-MS Spray Valve is designed to spray low to medium viscosity fluids, through disposable dispensing tips. The innovative design enables the valve to produce uniform spray patterns ranging from 0.18" - 0.60" (4.6mm - 15mm) in diameter.

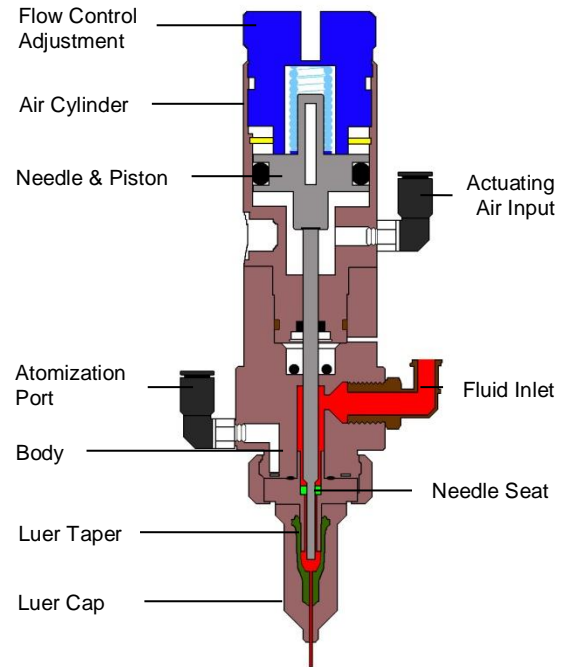
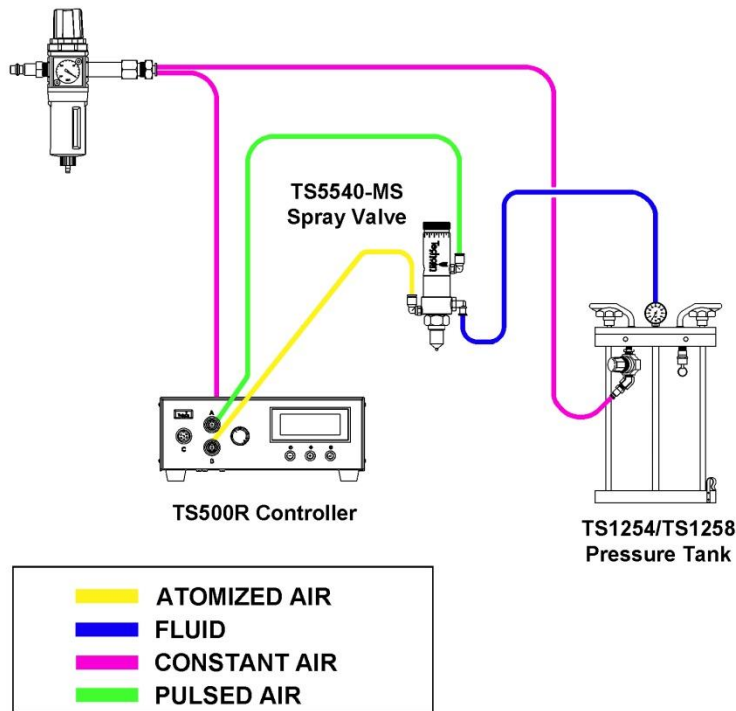
Key Features & Benefits

- No overspray
- Long life cycles
- Uniform spray pattern
- Extended tip/nozzle sprays between high components

Typical Applications

- Spraying activator onto plastic components prior to bonding
- Spraying oil onto metal components for lubrication purposes
- Spraying conformal coating between high components on PCBA

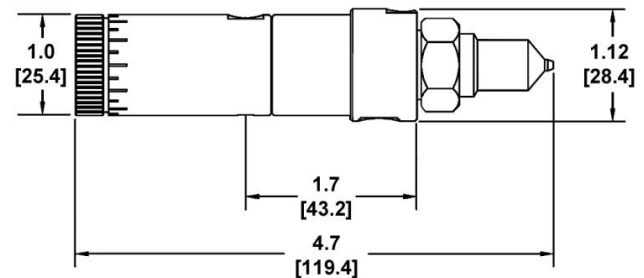
TYPICAL SETUP



SPECIFICATIONS & PART NUMBERS

	TS5322
Size (Imperial):	4.7" Length x 1.12"
Size (Metric):	119.4mm x 28.4mm
Weight:	0.73 lb (331g)
Fluid Inlet Port:	1/8" NPT female
Fluid Outlet Port	Spray cap
Aux Air Inlet Port:	10-32 UNF female
Activation Pressure:	70 psi (4.8bar) Min.
Max Fluid Pressure:	100 psi (6.9bar)
Operating Frequency:	400+ cycles/min.
Mounting Port:	1/4-20 UNC-2B female
Viscosity Range:	1 - 5 000cps
Wetted Parts:	303 SS, Teflon®

Teflon® is a registered trademark of E.I. DuPont. Version 2.00



Dimensions are in inches [mm]

The valve is shipped with the following items:

- Mounting bracket kit
- Valve air hose
- Luer lock fluid line
- Fluid inlet fittings - 1/4" compression and Luer lock type
- Dispensing tip selection pack

ACCESSORIES

- **Fluid reservoirs:** The valve can be fed from the TS1254 or TS1258 Pressure Tank, or from any size syringe barrel or cartridge.
- **Dispensing Tips:** Precision TE Series dispensing tips, from 23 - 32 gauge, in lengths 1/4" and 1/2", are required for this valve type. For the complete TE dispensing tip offering please visit www.techconsystems.com

For Sales & Support

Techcon Corporate Headquarters
 10800 Valley View Street, Cypress
 California, 90630, USA.
 Tel: 1-714-230-2398
 E-mail: oemorders@okinternational.com

Techcon European Corporate Office
 Eagle Close, Chandler's Ford Industrial Estate,
 Eastleigh, Hampshire, SO53 4NF, UK.
 Tel: +44 2380 489 100
 E-mail: europe-orders@okinternational.com