



# Pinch Tube Valve

## TS1212 Series

The TS1212 Disposable Pinch Tube Valve provides control for dots and beads of low to medium viscosity fluids.

The TS1212 relies on a dispensing controller sending a pre-programmed air signal that opens the valve and allows fluid to flow. Once the dispense cycle is complete, the air signal stops and the internal spring forces the shut-off piston to “pinch” the disposable feed path, preventing further fluid flow. A stroke control adjustment is built into the valve.

The only part of the valve making contact with the fluid, being dispensed, is the disposable pinch tube assembly making the TS1212 ideally suited for dispensing 2-part and CA (Cyanoacrylate) fluids.

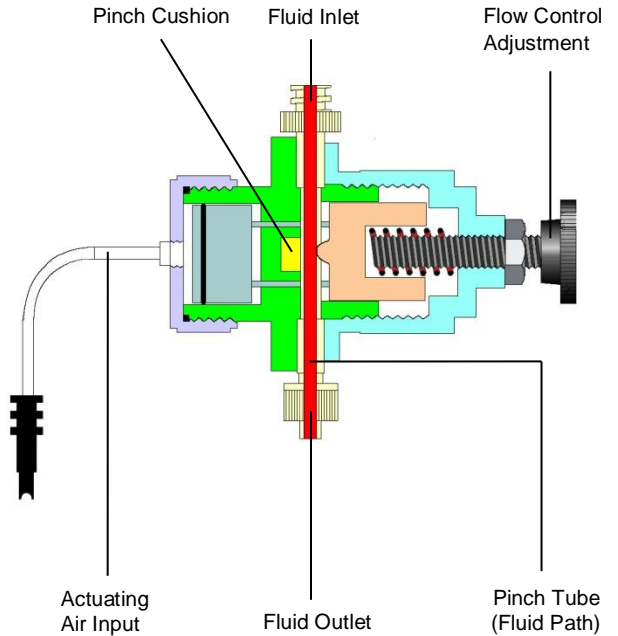
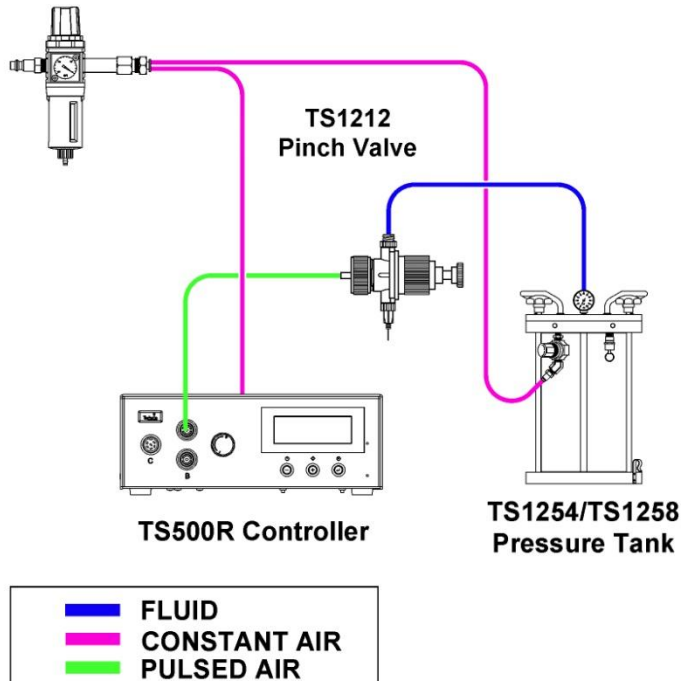
### Key Features & Benefits

- Disposable path - no cleaning required
- Very light-weight design
- Very low maintenance design
- Optional black feed paths for UV fluids

### Typical Applications

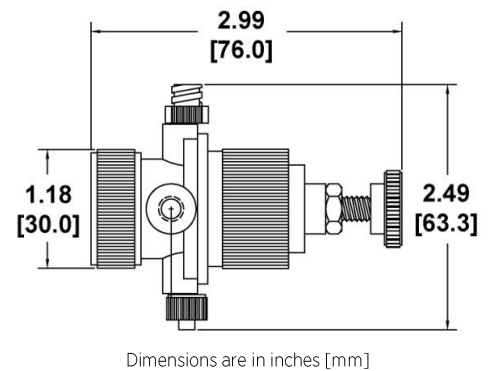
- Applying UV adhesive in medical device manufacturing
- Dispensing Cyanoacrylate (CA) to bond plastic parts in toy manufacturing
- Dispensing dots of lubrication in automotive switches

## TYPICAL SETUP



## SPECIFICATIONS & PART NUMBERS

	TS1212	
Size (Imperial):	2.99" Length x 2.49"	
Size (Metric):	76.0mm x 63.3mm	
Weight:	0.18 lb (82g)	
Fluid Inlet Port:	Luer lock female	
Fluid Outlet Port:	Luer lock male	
Activation Pressure:	50 psi (3.4bar) Min.	
Max Fluid Pressure:	60 psi (4.1bar)	
Operating Frequency:	400+ cycles/min.	
Mounting Port:	¼-20 UNC-2B female	
Viscosity Range:	1 - 45 000cps	
Wetted Parts:	Polyethylene, optional polyurethane	
1212-004-002BPK	Black PE 0.1" (2.54mm) ID	Male to female x10
1212-004-002PK	Natural PE0.1" (2.54mm) ID	Male to female x10
1212-004-000PK	Natural PE0.07" (1.78mm) ID	Male to female x10
1212-004-100BPK	Black PU 0.125" (3.18mm) ID	Male to female x10
1212-004-100PK	Natural PU 0.125" (3.18mm) ID	Male to female x10



The valve is shipped with the following items:

- Mounting rod
- Luer lock fluid line (natural and black)
- Replacement "pinch" tubes
- Dispensing tip selection pack

## ACCESSORIES

- **Fluid reservoirs:** The valve can be fed from the TS1254 or TS1258 Pressure Tank, or from any size syringe barrel or cartridge.
- **Dispensing Tips:** For the complete dispensing tip offering please visit [www.techconsystems.com](http://www.techconsystems.com)

## For Sales & Support

**Techcon Corporate Headquarters**  
 10800 Valley View Street, Cypress  
 California, 90630, USA.  
 Tel: 1-714-230-2398  
 E-mail: [OEMorders@okinternational.com](mailto: OEMorders@okinternational.com)

**Techcon European Corporate Office**  
 Eagle Close, Chandler's Ford Industrial Estate,  
 Eastleigh, Hampshire, SO53 4NF, UK.  
 Tel: +44 2380 489 100  
 E-mail: [europe-orders@okinternational.com](mailto: europe-orders@okinternational.com)